

# Evolution 180 180° Outdoor Camera

The next step in panoramic situational awareness

## 12MP Sensor with 6MP Dewarped Panoramic+ View

- Seamless panoramic surveillance with no blind spots
- 12MP high-resolution sensor
- True Day / Night with IR cut filter
- Up to 30 fps at 2.0 MP
- PoE or 12 VDC powered
- 5-year warranty

## Advanced features

- Built-in 3D dewarped panoramic video
- Industry leading Panoramic+ views
- Oncam Angle Compensation Technology (ACT)
- Scene Offset Angle Control
- Configurable privacy regions
- Polygonal video motion detection regions
- Local alarm digital input and output
- External microphone input
- Local MicroSD card slot for event recording

ONVIF | S



36749-101

## Robust and attractive design

- Quick, easy & secure installation
- Versatile enclosure enables wall and pendant mounting
- Integrated adjustable mounting angle: 0-45°
- White powder coated die-cast aluminium enclosure
- IP66, IP67, IP68, IP69K, IK10+ rated



# Evolution 180

## 180° Outdoor Camera

The next step in panoramic situational awareness

GENERAL	
Lens Field of View	187° horizontal, 74° vertical (Panoramic Stream) 187° horizontal, 165° vertical (Fisheye Stream)
Image Sensor	4072 H x 3046 V, 12.4 MP 1/2.3 in. Sony CMOS Sensor
Lens	187° / F2.4
Day/Night IR Cut Filter	Automatic, Manual, External and Alarm Control
Minimum Illumination	0.1 lux
Frame Rate	Up to 30 fps Up to 14 fps at max resolution Panoramic Stream
Video Motion Detection	8 configurable polygon regions
External Alarm	1x contact input, 1x contact output
External IR Filter Control	1x contact input
Audio Connections	Audio in through 12-pin I/O connector, RTSP using G711 codec and ONVIF Profile S
Audio Input Level	Mic input level range, approximately 5 mV to 50 mV
Advanced Event Management	Configurable triggers: motion regions, external contact input, network down and HTTP GET. Configurable actions: external contact output, SMTP frame upload, local recording, LED, IR filter controls
Networking	TCP/IP, HTTP, DHCP, DNS, NTP, SMTP, RTSP, UPnP and WS-Discovery
Privacy	10 configurable privacy regions
Local Recording	Event based with configurable pre and post recording (ONVIF Profile G not supported)
SD Card	Built-in MicroSD card slot. Supports cards up to 256GB capacity. Speed class 10 or higher.
White Balance Range	Auto White Balance (Range = approx. 2500 K - 8000 K)
VIDEO	
Panoramic Stream 1 & 2	180° 3D Dewarped Panoramic Stream H.264 at: Up to 14 fps: 5.90 MP (3840x1536), 4.52 MP (3360x1344), 2.62 MP (2560x1024), 1.47 MP (1920x768). Up to 30 fps: 0.66 MP (1280x512), 0.26 MP (800x320).
Fisheye Stream 1	360° Fisheye Stream H.264 at: Up to 11 fps: 10.1 MP (3360 x 3000). Up to 14 fps: 6.45 MP (2688 x 2400), 4.48 MP (2240 x 2000). Up to 30 fps: 2.20 MP (1568 x 1400)
Fisheye Stream 2	360° Fisheye Stream H.264 at up to 30 fps: 0.40 MP (672x600)
Fisheye Stream 3	360° Fisheye Stream MJPEG at up to 30 fps 0.40 MP (672x600)
VCam Stream 1, 2, 3, 4	Up to 4 independent onboard 3D Dewarped Vcams H264 at: Up to 30 fps 1.00 MP (1280x720), 0.31 MP (640x480). VCam Streams 1 & 2 are replaced by Panoramic Streams 1 & 2, if those are enabled.
Multi-Stream Limitations	Not all stream combinations are permitted. Fisheye Stream 2 cannot be enabled when using Panoramic or VCam Streams. Enabling multiple streams simultaneously may reduce frame rates.
Image Control	Settings include brightness / contrast / saturation / exposure compensation, compression quality and wall / ceiling / table mount Manipulation of wall mount and scene angles to ensure a level horizon
Image Enhancement	Electronic WDR 60 dB
VMS / NVR Support	ONVIF Profile S Conformant – Contact Oncam Sales for an up-to-date VMS compatibility list
Web Browser Compatibility	Internet Explorer 11 with VLC plug-in required for full functionality.
Unicast	Up to 20 simultaneous users depending on the resolution settings
Multicast	Supported for H.264 main fisheye camera stream
Bit Rate Control	Options include Constant Bit Rate Control and Fixed Quality Control

# Evolution 180

## 180° Outdoor Camera

The next step in panoramic situational awareness

### ELECTRICAL

Ports	RJ45 1000Base-TX PoE 12-pin I/O connector: 12 VDC input (optional), Audio in, Alarm in & out, External IR Filter Control in
Power Input	Power over Ethernet (PoE), IEEE standard 802.3af 12 VDC, 1.0 A (min) LPS, NEC Class 2 power supply.
Power Consumption (maximum)	7.20 W (PoE 48 VDC) / 6.96 W (DC 12 VDC)

### MECHANICAL

Camera Mount	Surface and Pendant
Weight	2.60 kg (5.73 lbs)
Dimensions (L x W x H)	220 x 160 x 138 mm (8.7 x 6.5 x 5.4in.)
Housing Material	Aluminum and Polymer

### ENVIRONMENTAL

Operating Temperature Range	-40°C to 55°C (-40 °F to +131°F)
Ingress & Impact Protection	IP66, IP67, IP68 (2m 30min), IP69K, IK10+

### CERTIFICATIONS

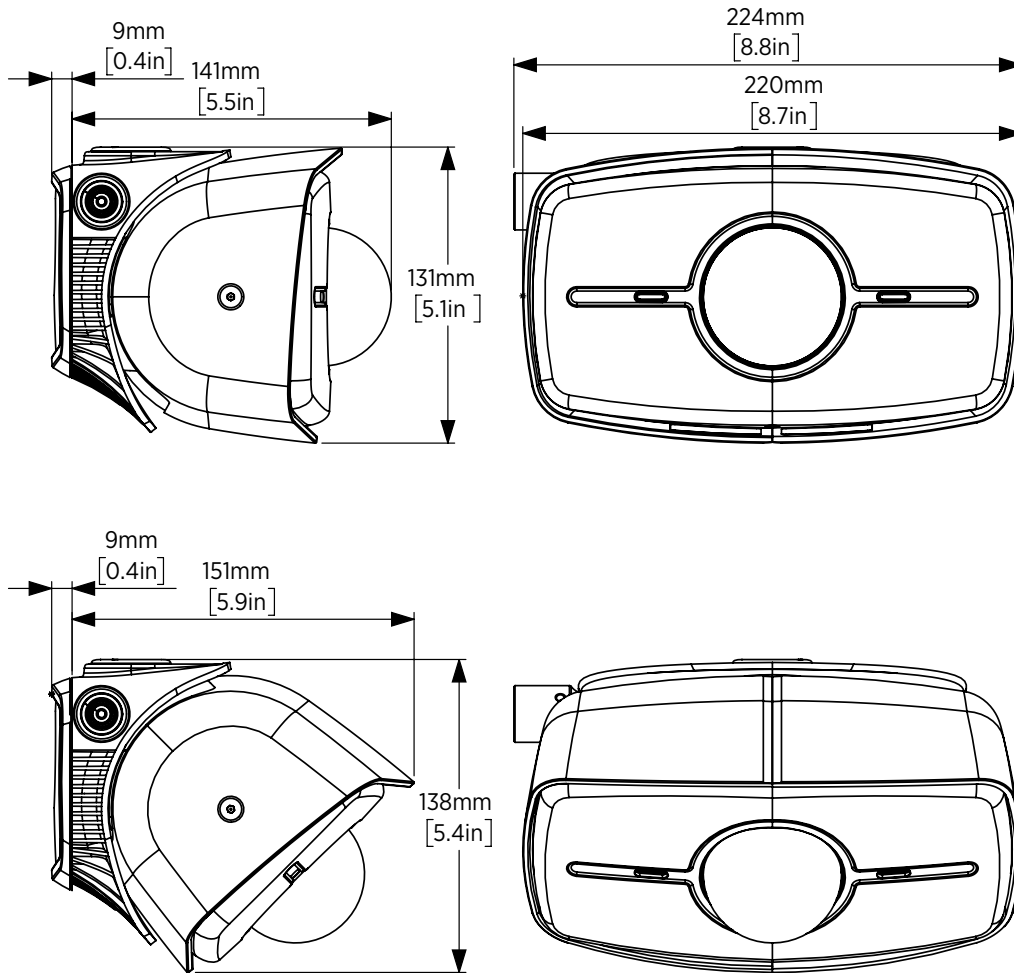
Approvals	IEEE802.3af, CE, AS/NZS CISPR 32:2015, CISPR 24:2010 (Class A) FCC, ICES-003, UL 60950-1(ed.2), CAN/CSA C22.2 No. 60950-1-07, RoHS, EN50130-4:2011, REACH
-----------	--

# Evolution 180

## 180° Outdoor Camera

The next step in panoramic situational awareness

### DIMENSIONS



© Copyright 2020 ONVU Technologies AG. All rights reserved. Oncam is a trading name of ONVU Technologies AG. Specifications and configurations subject to change without notice. "ONCAM" and the "ONCAM logo" are trademarks, and in some cases registered or protected trademarks, of Oncam Global Limited and/or Oncam Global, Inc., including under registration in the UK, India and in the U.S. Patent and Trademark Office. All other trademarks are the property of their respective owners.