

SE4 IR MicDome

4MP dome with High Dynamic Range (HDR), IR and built-in microphone, in a small form factor



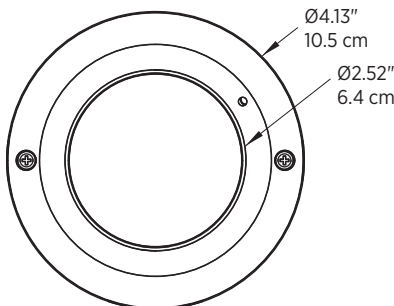
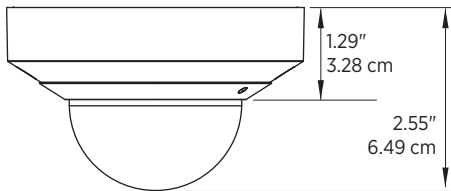
Shown with optional NPT mount adaptor



Shown with optional wall mount



For customers who need a full-featured dome with a small footprint, the **SE4 IR MicDome** integrates IR LEDs, HDR and 4MP resolution to guarantee superior image quality, in a discreet housing. The camera is protected by a weather-proof (IP66), vandal-resistant enclosure, and generates an alert in the event someone attempts to obstruct or move the camera.



Key Benefits

- ▼ **4MP resolution.** Twice the amount of pixels as 1080p, 4MP delivers the perfect amount of detail to see facial features, bill dominations, etc.
- ▼ **Save money on storage and bandwidth.** The camera's low bit rate (LBR) setting reduces storage and bandwidth usage by 50% or more in most applications; streams can drop below 1Mbps at 4MP (15 fps).
- ▼ **Built-in microphone.** No need to purchase and install a separate device for applications that require audio.
- ▼ **High Dynamic Range (HDR).** The camera blends the best parts of several separate exposures together to combine the most focused, well-lit, and colorful parts of the scene.
- ▼ **Integrated IR.** The built-in LEDs provide uniform illumination in total darkness, which means users will see high-quality, low-noise video from over 49 feet (15 meters) away.
- ▼ **Moisture protection.** The camera's mic contains an acoustic membrane, which prevents moisture from permeating. The membrane also allows moisture to escape, giving it breathability and protecting the camera.
- ▼ **3-axis gimbal.** The camera's pan, tilt and rotation are adjusted by a single mechanism. This allows for single-handed positioning of the camera during installation and simplifies setup.
- ▼ **Hallway mode.** To capture vertically-oriented scenes, such as hallways and corridors, the camera provides a 90° rotation so images are created vertically, maximizing the field of view in narrow situations.

Get high performance in a small, durable form factor — just over 4 inches in diameter — complete with a built-in microphone.

SE4 IR MicDome

CAMERA

Image Sensor	1/3" Progressive Scan CMOS
Effective Pixels	4MP; 2688 (H) x 1520 (V)
Lens	2.8mm (F2.0) or 4.0mm (F2.1), fixed focal
Field of View	37431-101: 100° 37431-102: 60°
High Dynamic Range (HDR)	120dB
Day/Night Functionality	IR LED
Minimum Illumination	Color: 0.1 lux; B/W: 0.01 lux; IR on: 0.0 lux
Shutter Speed	1/10000s
Camera Angle Adjustment	Pan 350°, Tilt 160°, Rotation -100° to 100°
Pat/Tilt/Zoom	Digital PTZ via Command
White Balance	Manual/Automatic
IR Wavelength	850nm
IR Illumination Distance	49 feet (15m)
Number of LEDs	4

VIDEO

Video Compression	H.264, M-JPEG
Resolution	4MP (2688 x 1520), 3MP, Full HD 1080p, SXGA, 720p, XGA, SVGA, D1, VGA, CIF
Frame Rate	Up to 15fps @ 4MP (2688 x 1520)
Video Streaming: Dual	H.264 4MP (2688 x 1512) @15fps + H.264 720p @ 15fps (one of the streams ≤2MP can be set as M-JPEG)
Quad	2MP (1920 x 1080) @15fps + H.264 720p @15fps + H.264 D1 @ 30fps + CIF @ 30fps
Image Settings	Iris control, backlight compensation, white balance, noise reduction, wide dynamic range, privacy mask, brightness, exposure, sharpness, contrast, saturation, hue, IR configuration, day/night threshold

AUDIO

Audio Streaming	One-way
Audio Compression	G.711 PCM
Audio Input/Output	Embedded microphone

NETWORK

Security	Password protection, HTTPS encryption (configuration only), IEEE 802.1X
Supported Protocols	IPv4/v6, TCP/IP, UDP, RTP, RTSP, HTTP, HTTPS, DHCP, PPPoE, UPnP, QoS, ONVIF-S
Interface	RJ-45, 10/100Mbps Ethernet
Internet Browser	Internet Explorer (10+)

SYSTEM INTEGRATION

Intelligent Video	Video motion detection, active video tampering, privacy zones
Alarm Trigger	Motion detection, video tampering, external input
Alarm Events	Video recording to local storage (SDXC, 512GB support), external output activation

GENERAL

Power	PoE (802.3 af, Class 0); 12VDC
Power Consumption	3.64W typical IR LED: +2.64W SD Card: +0.6W
LED Indicator	Power, Link, ACT
Connectors	Power: 2 Pin Terminal Block Ethernet: RJ-45 Audio: built-in
Local Storage	SDXC memory card up to 512GB (sold separately)
Operating Conditions	-22° to 140°F (-30° to 60°C); 10-90% RH, non-condensing
Weatherproof Standard	IP66
Vandal-Proof	IK10
Weight	0.54 lb (0.25 Kg)
Dimensions	Ø 4.13 x 2.56 H in (Ø 105 x 65 H mm)
Certification Model	C2402A
Regulatory Approvals	Emissions: EN 55022: FCC Part 15 Subpart B, ICES-003, CISPR 22, AS/NZS CISPR 22, CISPR 25 Immunity: EN 50130-4, EN50121-3-2 & SAE1113 Safety: UL60950-1, IEC60950-1 (CB report), IEC60950-22 S&V: SAE J1455, EN50155 Environmental: ROHS3, WEEE
Included Accessories	Quick Start Guide; mounting template; mounting hardware

MOUNTING OPTIONS

			
Surface Mount (out-of-box)	Wall Mount	1.5" NPT Mount Adaptor	1.5" NPT Pendant Mount
			
1.5" NPT Wall Mount	Corner Adaptor	Pole Adaptor	

ORDERING INFORMATION

CAMERA	
37431-101	SE4 IR MicDome with 2.8mm lens
37431-102	SE4 IR MicDome with 4.0mm lens
ACCESSORIES	
33286	Wall Mount
33287	1.5" NPT Mount Adaptor
HOMINIDOMESMA	1.5" NPT Pendant Mount
HOMINIDOMEWB	1.5" NPT Wall Mount
HOMINIDOMEVMA	Pole Adaptor
27639	Corner Adaptor

5-year warranty:

- Option for Advance Replacement or Repair & Return.
- No need to issue a PO prior to receiving the replacement.
- March Networks incurs all shipping costs — both ways — for Advance Replacements.