

LTA-100

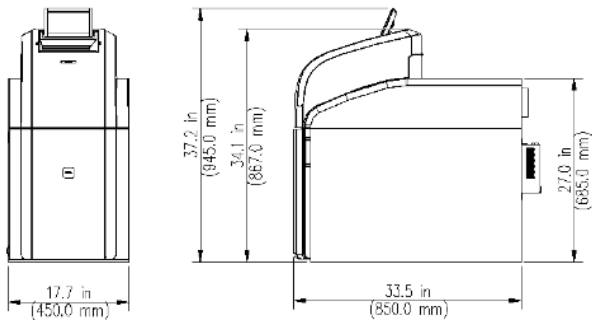


Teller Cash Recycler

The LTA-100 provides innovative cassette-based cash recycling technology in a sleek, space saving design. Hailed as the smallest cassette-based TCR in the industry, this user-friendly solution delivers optimal efficiency, convenience and security.

Operational Features

- Small Footprint
- 3 Cassette Configurations
- Up to 6 Denominations
- Touchscreen with Tutorials and Videos
- Linear Note Path
- Note Image and Serial Number Capture
- Duress Dispense
- Win 10 IOT
- Flexible Integration



Item	Unit	Specification	
Deposit	Denomination	USD 1/2/5/10/20/50/100	
Dispense	Denomination	USD 1/2/5/10/20/50/100	
Throughput	Normal Mode	Notes/sec	
		10	
Cassette Count	Recycling	EA	
	Deposit Only	EA	
		3 (Short Split Cassette)	
		1 (Reject Box)	
Cassette Capacity (Based On 0.1mm Thickness New Note)	Total	notes	
			Max. Dispense 6,000 ~ 8,550 (Recycle 4,800 ~ 7,500)
	Recycling - Split	mm/notes	Dispense 240 / 2,000 (Recycle 200 / 1,600)
	Space A		Dispense 120 / 1,000 (Recycle 100 / 800)
	Space B		Dispense 120 / 1,000 (Recycle 100 / 800)
Recycling - 1Bin	Dispense 315/2,850 (Recycle 290 / 2,500)		
Deposit Only (Reject Box)		130 / 900	
Media Spec	Width	Inches	
	Length		
			2.44~3.23
			5.35~6.54
Capacity for each transaction	Deposit/Dispense	notes	MAX 150 (Based on new note)
Access Type (Module Open)		-	Front

www.CaseFi.com

1.877.728.9627

701 Weaver Blvd NW
Anoka, MN 55303

